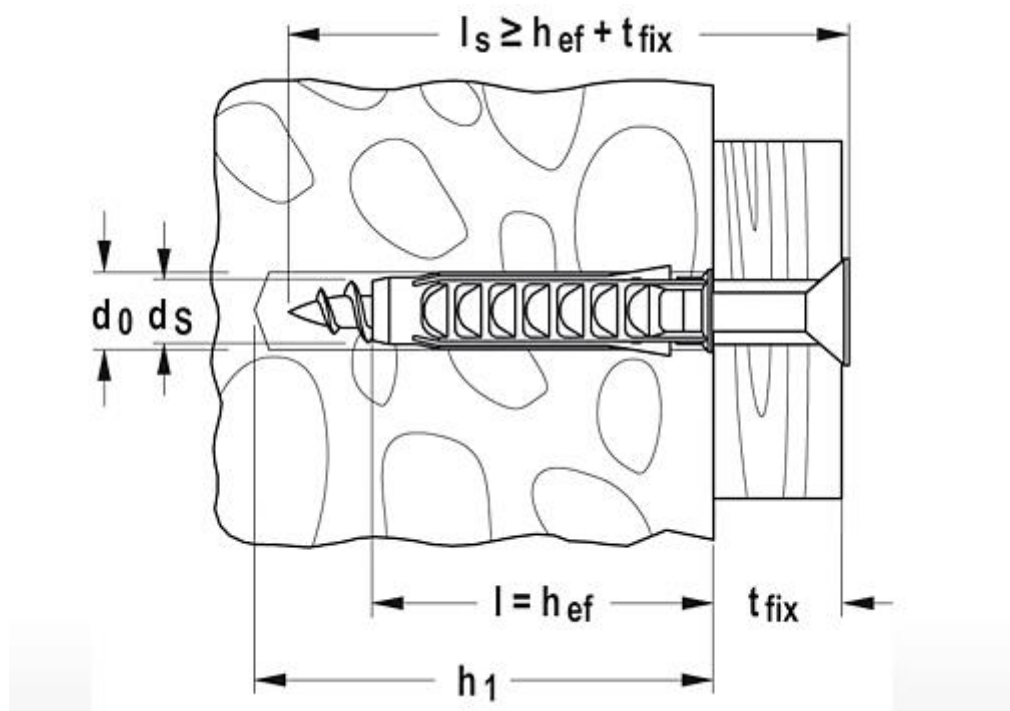


Дюбел с опорен пръстен, к-кт с винт/PZ SX ф 5 x 25 мм, SK NV, блистер



| | | | |
|-------------------------|------------------|---|-------|
| Drill hole diameter | d_0 | 5 | [mm] |
| Min. drill hole depth | h_1 | 35 | [mm] |
| Anchor length | l | 25 | [mm] |
| Screw | $d_s \times l_s$ | 4 x 30 | [mm] |
| Effect. anchorage depth | h_{ef} | 25 | [mm] |
| Drive | | PZ2 | |
| Card contents | | 20 x SX 5 x 25, 20 x chipboard screw 4 x 30 | |
| Sales unit | | 10 | [pcs] |
| GTIN (EAN Code) | | 4006209908921 | |